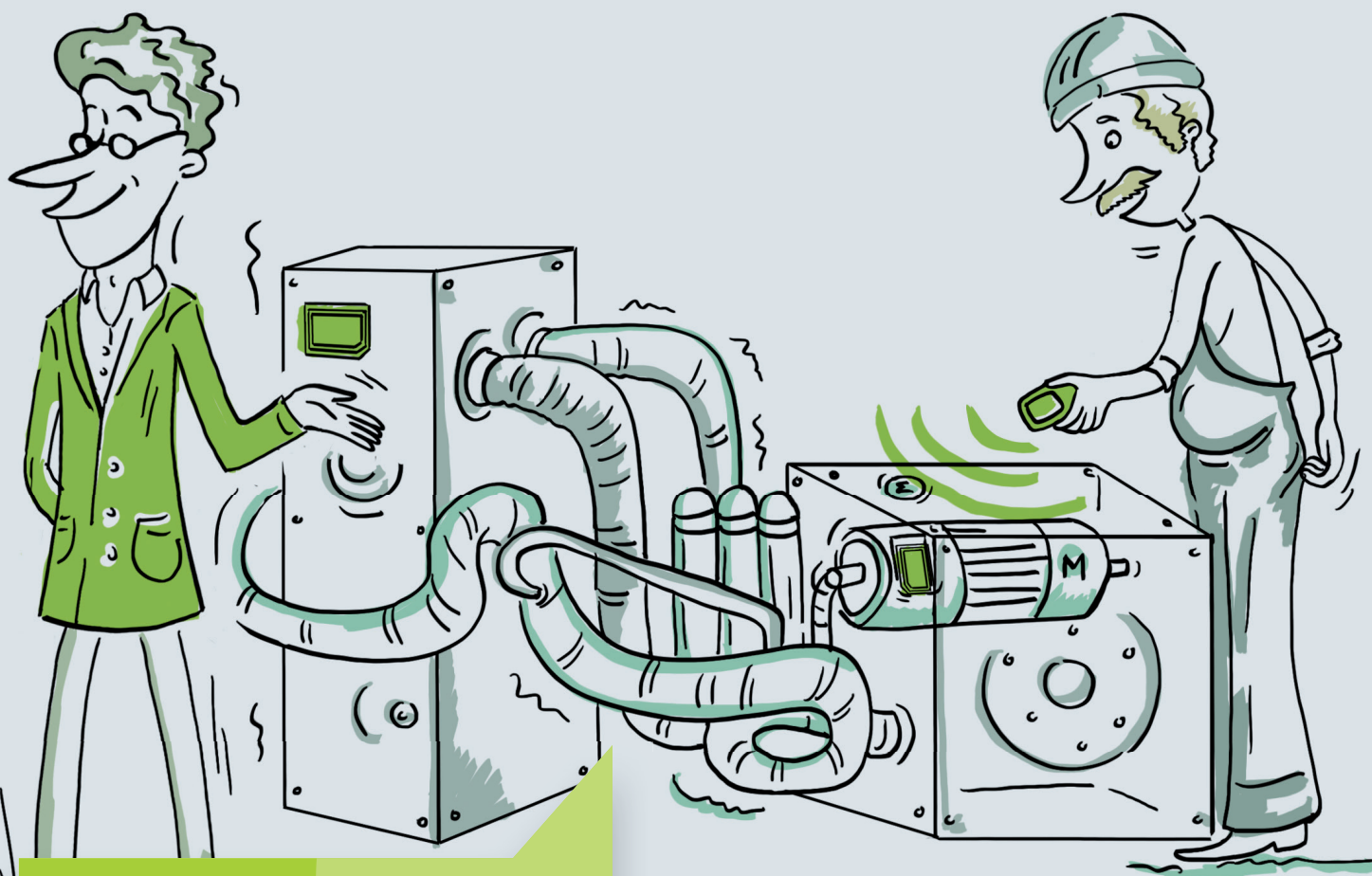




# TAGpilot

smart edition



## MOBILE MAINTENANCE

- > Persistent and reliable documentation
- > Easy to use
- > Smart in price

INNOVATIONSPREIS-IT

SIEGER 2013

*initiative*  
mittelstand

AUTO ID / RFID

**TAGnology**  
Intelligent Contactless Identification

# MOBILE MAINTENANCE smart edition



Maximum safety for staff and material assets, protection against failures – for these reasons it is of high importance that technical systems, production plants and operational equipment are in good functional condition. And, consequently, Auto ID/RFID-based Mobile Maintenance is indispensable.

## Benefits of Auto ID/RFID-based Mobile Maintenance

- > Unique identification of objects and, consequently, reduced risk of mixing up objects
- > Replacing paper forms by digital media
- > Cuts down potential for errors caused by media discontinuity
- > Documentation of maintenance activities for components that are subject to regular servicing
- > Prompt processing and analysis of inspection results on the TAGpilot server

## TAGpilot Mobile Maintenance smart edition

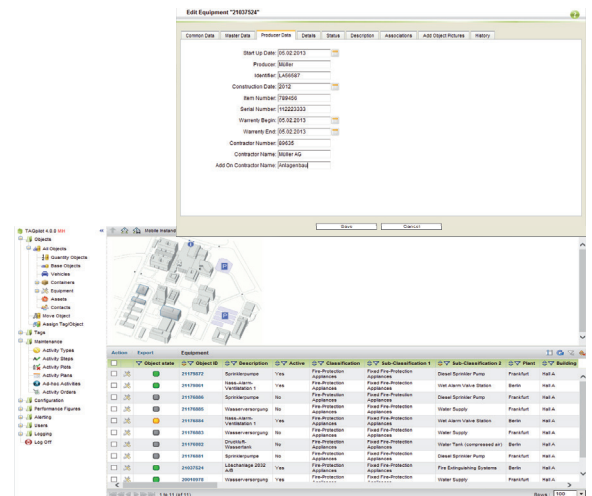
The TAGpilot mobile maintenance smart edition is a flexible entry-level package into the world of RFID-based container management, consisting of the access to the server-side functions in our TAGpilot portal (online via Web) and a preconfigured mobile device for managing inspections.



TAGpilot mobile inspection

## Benefits of the smart edition at a glance

- > Fast and cost-effective entry into the world of RFID-based Mobile Maintenance
- > First inspections of objects possible within the shortest time
- > Creating inspection reports in a short time
- > No own IT infrastructure such as servers needed
- > Practical experience in creating and classifying inspection objects
- > Possibility to practice new processes of the Mobile Maintenance
- > Fast practical experience in dealing with mobile devices and the RFID technology



TAGpilot web portal

The TAGpilot Mobile Maintenance smart edition offers a set of professional passive RFID / NFC components and includes extensive components of leading manufacturers of mobile applications.

The TAGpilot smart edition comprises a wide range of transponders specifically compiled by our experts for the mobile maintenance application. This practical set offers a variety of transponder types and mounting options.

## Mobile devices (PDA) TAGpilot Mobile Maintenance smart edition

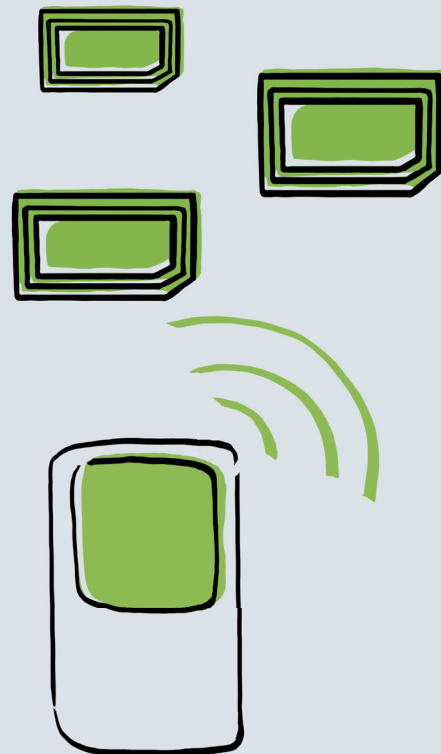
> TAGnology is a certified partner of leading mobile device manufacturers with focus on high quality products. Our selected mobile computers are especially suitable for the different applications of mobile maintenance, both in- and outdoor. Thanks to their ergonomic design, the mobile devices can be used as mobile phones, too.

> Our mobile devices include the following features:

**Typ A** | RFID-UHF standard ISO 18000-6C (EPC Class 1, Gen2), GSM-capable (3G), integrated GPS, Bluetooth, W-LAN, barcode laser scanner, IP54, CE-and FCC-certification, high performance battery. Optional: warranty extension, accessories

**Typ B** | RFID-HF standard ISO 14443, NFC compatible, GSM-capable (3G), integrated GPS, Bluetooth, W-LAN, Barcode 2D imager, digital camera, IEC Sealing, IP54, CE- and FCC-certification, high performance battery. Optional: warranty extension, accessories

> All above mentioned features are included in the corresponding type of mobile device thus reducing considerably the number of units that need to be acquired.



HARDWARE

## You can choose between mobile device sets of different manufacturers in conformity with ISO standards:

RFID-UHF standard ISO 18000-6C (EPC Class 1, Gen2)

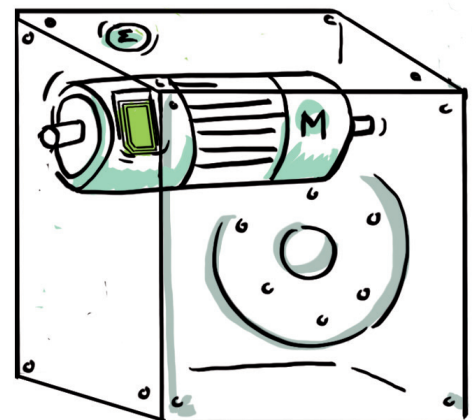
**TYP A** | Mobile device set

RFID-HF standard ISO 14443, NFC compatible

**TYP B** | Mobile device set

Details can be found online  
[www.rfid-webshop.com](http://www.rfid-webshop.com)

**RFID | NFC**  
webshop



## SMART EDITION? WHAT DOES IT MEAN?

### 01 What features are included in the smart edition?

The smart edition provides online access to the TAGpilot portal for managing inspection objects and inspection orders and for visualizing the objects' positions. The application on mobile devices provides features for the clear identification of inspection objects and for performing the object inspection. Two preconfigured exemplary inspection cases are included. The inspection tasks created on the server are automatically sent to the mobile devices; the inspection results are automatically transferred back to the server and displayed.

### 02 Can the smart edition be customized to my specific requirements?

The preconfigured inspection orders can be customized to your specific requirements. The individual inspection steps are stored in libraries and can be adjusted and re-compiled. The inspection cycles are individually defined on the server. The list views, filter functions and Excel exports in the portal are freely configurable.

### 03 Does the smart edition remember historical data?

For persistent and reliable documentation, the smart edition records every inspection and every master data or state change. As a result, historical data can be used for optimization. On the mobile devices, the inspection data are stored until they can be transferred to the server, i. e. the system works online and offline.

### 04 How is the smart edition limited?

The smart edition is limited to one data entry device, three areas and two web users. Up to 100 objects can be monitored. The smart edition is reduced to one language (you can choose between German and English). Integration into back-end systems, free configuration of workflows and use of the web service interface are not part of the smart edition.

### 05 What does the smart edition cost?

A non-recurring basic price is to be paid for the smart edition. This includes the appropriate hardware and services required for system setup. A small monthly fee of 99 EUR or higher will be charged for the service. Mobile charges have also to be paid monthly. Contact us for a quotation

